


BOMA LED 4000 LM
Design: Enrico Davide Bona and Elisa Nobile


Product code	Color
453-160-08	White
453-160-52	Silver

General specifications

Product type	: Spotlights
Mounting type	: LKM 3-phase track
Description	: The fittings can be applied to 3-phase tracks LKM, through a joint mechanism that allows them to be and justed in variable positions, according to an innovative double rotation. Closing caps in nylon, reinforced with fiberglass 30%, liquid painted.

Indoor/outdoor lights	: Indoor
Applications	: Communities, Offices

Lighting specifications

Lamps description	: LED 4000lm 30W 3000K
Average lamp life (h)	: 50.000

Physical specifications

Body	: Extruded aluminium
Finishes	: Polyester painted
Diffuser	: Opal polycarbonate
Gear tray	: Extruded aluminium
Screws	: Steel

Electrical specifications

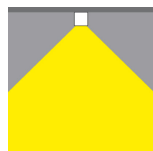
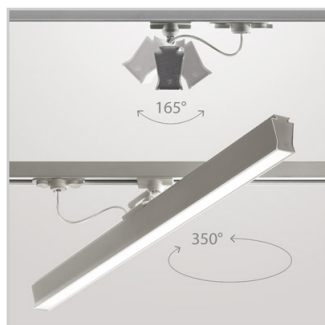
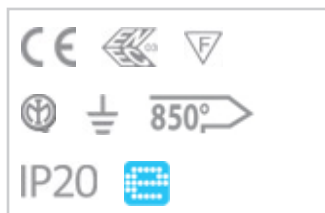
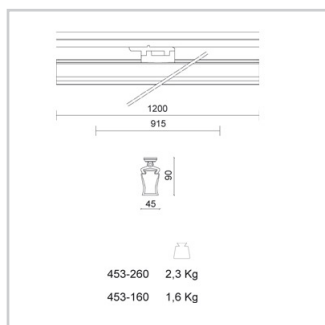
Driver availability	: Included
Driver mounting	: Integrated
Voltage (V)	: 230/240
Frequency (Hz)	: 50/60


Weight and dimensions

Shape	: Rectangular
Length (mm)	: 915
Width (mm)	: 45
Height (mm)	: 90
Weight (Kg)	: 1.6

Optical specifications

Aiming	: Adjustable
Light distribution	: Symmetric
Light emission	: Direct
Horizontal orientation	: 350°
Vertical tilt	: 165°



Lamps	Categories	Type	Wattage (W)	Lumens (lm)	Color Temp. (K)	CRI
	LED	COB LED	30	4000	3000	80

Pictures and Applications

